

Spare part list

V 1.2 | EN | April 2022

 **EUROBOOR**  
FOR PROFESSIONALS BY PROFESSIONALS



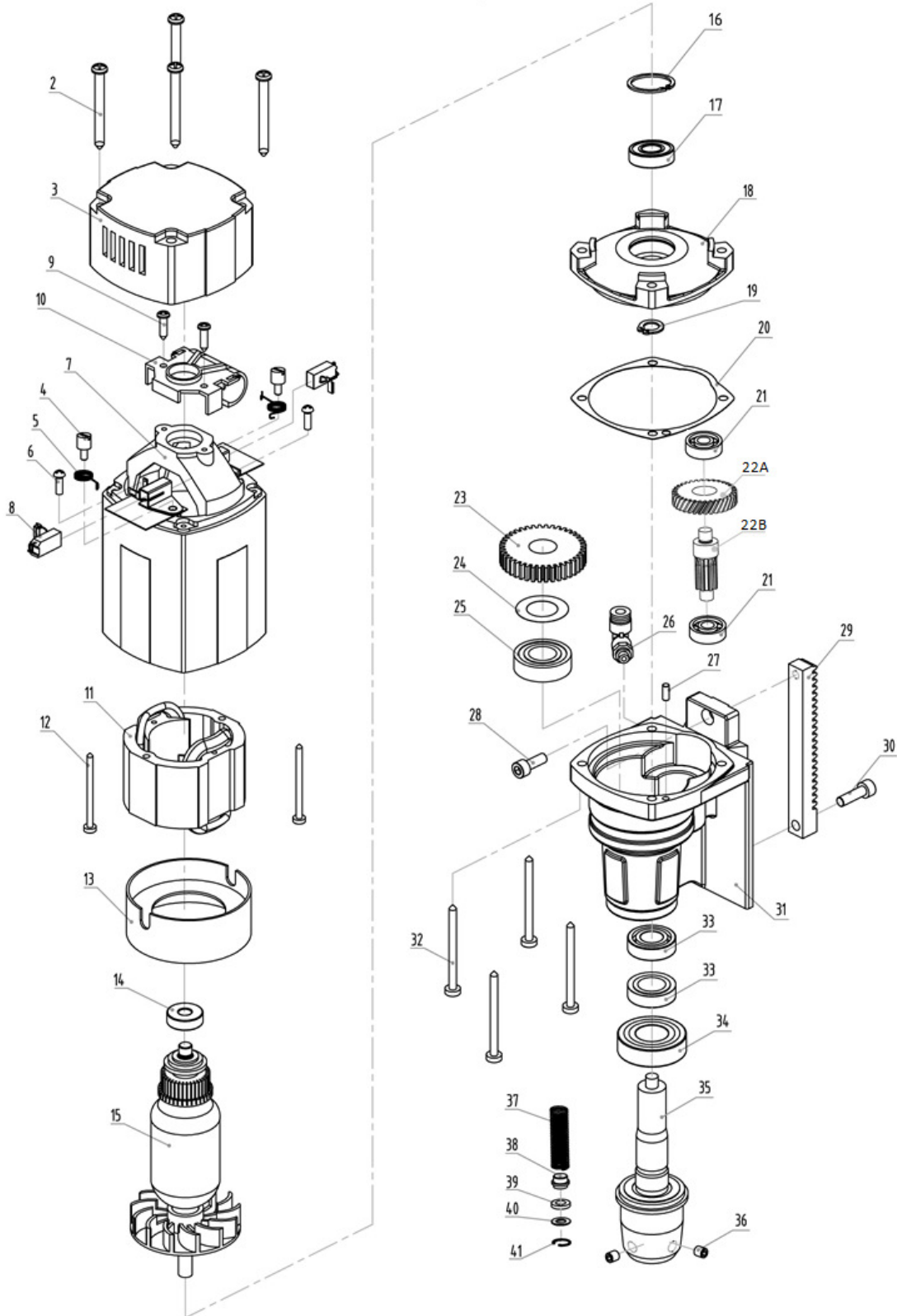
# ECO.30

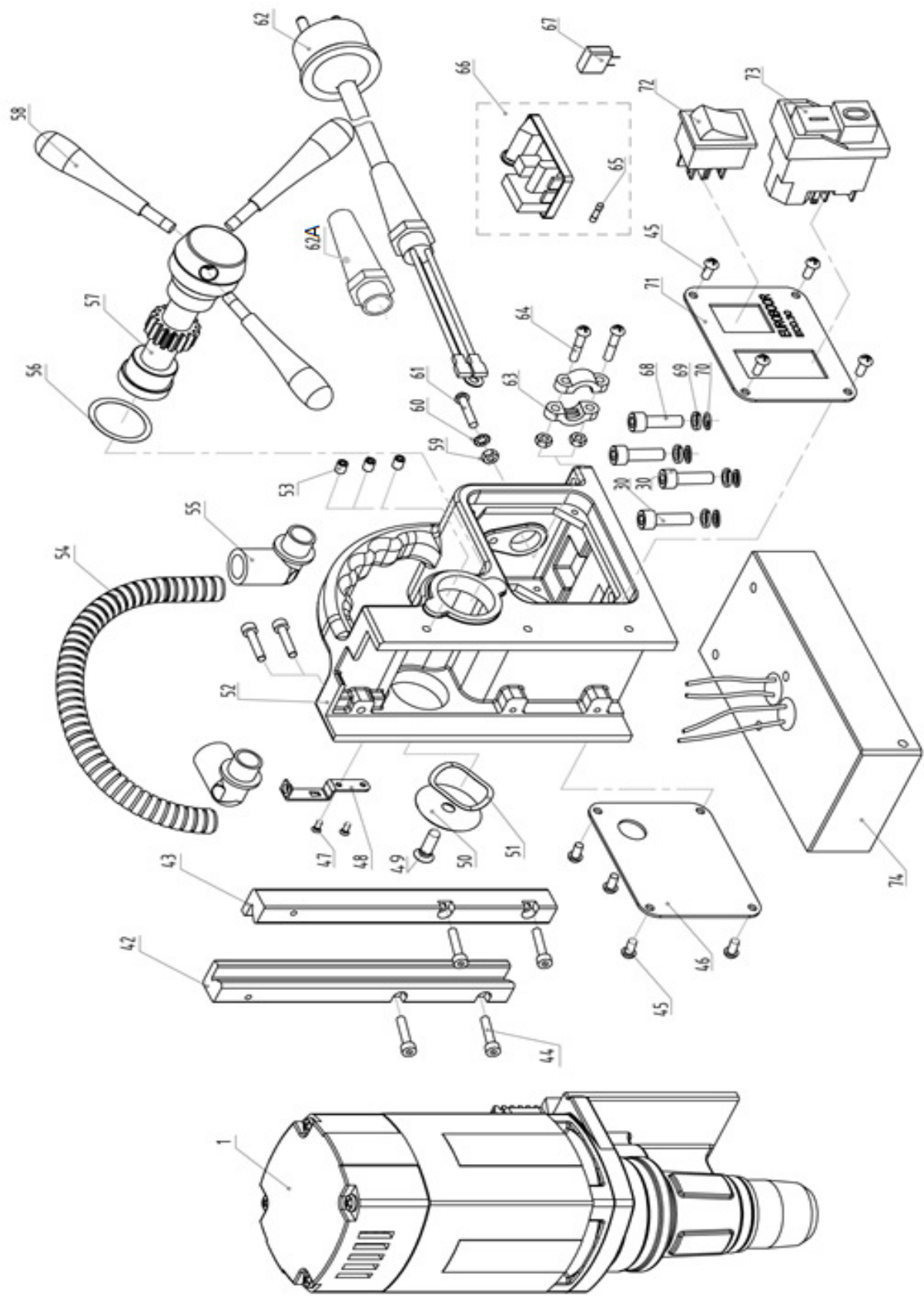
Magnetic drilling machine  
*with 2-way electromagnet*

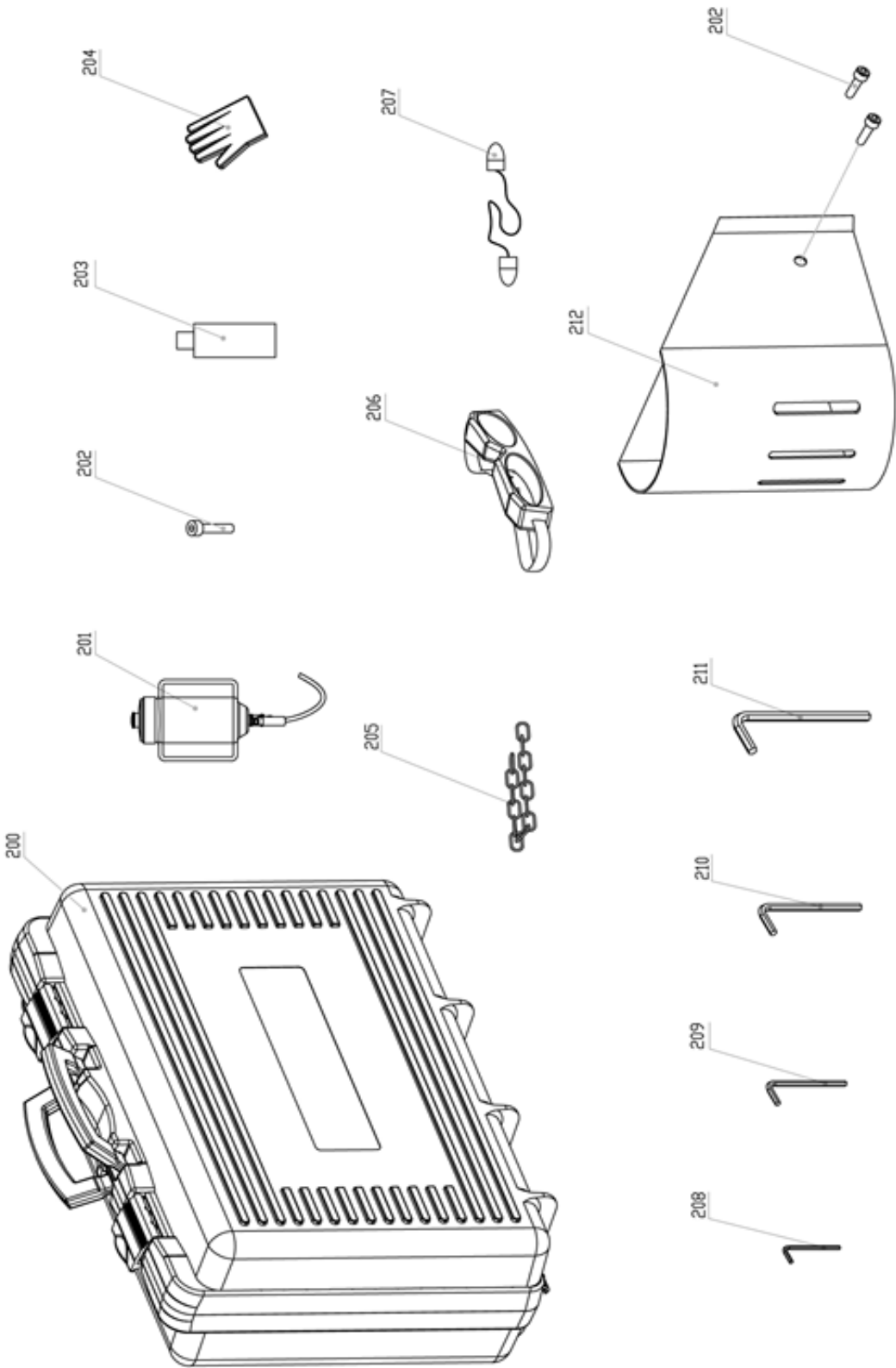


# 1. Exploded view & spare parts list

## 1.1 Exploded views







## 1.2 Spare parts list

No.	Part no.	Description	Qty
1	030E.5001	Motor 220V	1
	030E.5002	Motor 110V	
2	032.0106	Screw M5 x 50	4
3	032.0111	End cover	1
4	032.0136	Screw for spring	2
5	032.0141	Spring	2
6	020.0183	Screw M4 x 20	2
7	032.0241	Housing incl. carbon brush holder	1
8	032.0146	Carbon brush set 220V	2
	032.0147	Carbon brush set 110V	
9	032.0116	Screw M4 x 16	2
10	032.0131	Adapter ring cap	1
11	032.0151	Field 220V	1
	032.0152	Field 110V	
12	032.0156	Screw BK 4 x 55	2
13	032.0161	Baffle	1
14	032.0126	Bearing 608ZZ 8x22x7	1
15	032.0181	Armature 220V	1
	032.0182	Armature 110V	
16	032.0166	Circlip 472/28/1.2	1
17	032.0171	Bearing 6001ZZ 12x28x8	1
18	032.0236	Inner gear plate	1
19	032.0176	Circlip 471/10/1	1
20	032.0237	Gasket small	1
21	032.0221	Bearing 608 8 x 22 x 7	2
22A	032.0226	First gear 34T	1
22B	032.0231	Axle 8T	1
23	032.0186	Spindle gear 40T	1
24	032.0191	Adapter ring 17x24x0.2	1
25	032.0196	Bearing 6003 17x35x10	1
26	KSP.S	Coolant connector Quick angle plastic	1
27	032.0211	Casing pin 4 x 12	1
28	030E.5028	Bolt M6 x 12	1
29	030E.5029	Rack	1
30	020.0156	Bolt M6 x 20	3
31	030E.5031	Gear box	1
31/ set	030E.5031/ Set	Gear box complete	1
32	032.0216	Screw BK 5 x 40	4
33	030E.5033	Seal	2
34	030E.5034	Bearing nsk 6004 ddu	1
35	030E.5035	Spindle inc. spring set	1
36	020.0136	Grub screw M8 x 8	2

No.	Part no.	Description	Qty
37- 41	030E.5037	Spring set	1
42	030E.5042	Guide rail Aluminium left ECO.30	1
43	030E.5043	Guide rail Aluminium right ECO.30	1
44	020.0229	Screw M4 x 20	6
45	020.0101	Panel screw BKVZ M4x8	8
46	PP.30/2	Rear panel ECO.30	1
47	KSP.MS	Screw M5 x 10	2
48	KSP.M/4	Tank holder ECO.30(S)	1
49	020.0081	End screw BKVZ M6x16	1
50	020.0077	End plate	1
51	030E.5051	Spring washer	1
52	030E.5052/2	Frame ECO.30	1
53	020.0056/S	Screw SS M5 x 6	3
54	020.0046	Motor cable complete inc. coupling nut	1
55	030E.5055	Coupling nut angle	2
56	030E.5056	Ring 28 x 34.5 x 0.2 mm	1
57	020.0061/XB	Capstan hub assembly	1
58	030.0030/X	Arm for capstan	3
59	020.0182	Grounding screw/washer/nut	1
60			
61			
62	030.B125	Main cable set 220V EU	1
	030.B125A	Main cable set 110V US	
	020.0036/AU	Main cable 220V AU	
	020.0036/UK	Main cable 220V UK	
	020.0036/UK 110-16A	Main cable 110V UK 16A	
62A	020.0031	Coupling nut PG11 (main cable)	1
59	020.0037	Cable clamp complete	1
63			
64			
65	020.0017	Fuse 5 x 20 F2A	1
66	030.1004R	Control unit ECO.30/36 2WM	1
67	020.0008	Capicitor	1
68	020.0146	Screw M6 x 25	2
69	020.0111	Washer M6 DIN7980	4
70	020.0112	Washer M6	4
71	030.B060Z	Front panel assy ECO.30 2WM 220V	1
	030.B060ZA	Front panel assy ECO.30 2WM 110V	
72	020.0011/1	Magnet switch	1

No.	Part no.	Description	Qty
73	030E.0091/Y	Motor switch 220V (5-pin) YELLOW	1
	030E.0092/Y	Motor switch 110V (5-pin) YELLOW	
74	030E.5072/2	Magnet 220V 1507 ->	1
	030.1005A	Magnet 110V 1507 ->	
200	CAS.30	Case for ECO 30	1
201	KSP.Q2	Coolant tank Quick Connect 2015	1
202	020.0511	Bolt M5 x 10	3
203	IBO.0.2L	Bottle 0.2LTR	1

No.	Part no.	Description	Qty
204	PRM.61	EUROBOOR gloves M	1
	PRM.62	EUROBOOR gloves L	
	PRM.63	EUROBOOR gloves XL	
205	SAF.400	Safety chain (1 mtr) with lock	1
206	SAF.100	Safety goggles	1
207	SAF.200	Ear plugs	1
208	IMB.US2.5	Allen key 2.5 mm	1
209	IMB.US3	Allen key 3.0 mm	1
210	IMB.US4	Allen key 4.0 mm	1
211	IMB.US5	Allen key 5.0 mm	1
212	SAF.MDMS	Safety guard small	1

### 1.3 Wiring diagram

